



F101-P1367-BD

Hazardous area real-time monitoring

SPECTRUM - F1xx is Hazardous Rated cFMus Class I II III, Division 1, Groups: B, C, D, E, F, G and IECEx-ATEX Zone 1/21 IIB+H2 The F1xx series product line offers true high-definition (HD) IP digital cameras designed to operate in the worlds harshest locations.

The F1xx series provide an easily installed POE solution for hazardous area integration. The series is available in powder coated copper free aluminum ensuring protection against rain, dust and corrosion within a wide temperature range between -50°C to +60°C. This feature ensures operation under extreme weather conditions and hazardous environments. It is suitable for monitoring wide open indoor/outdoor spaces such as refineries, wellheads, pipelines, offshore installations, remote and harsh locations where high-level reliability and precision are always required.



AXIS P1367 Network Camera

Excellent 5 MP surveillance in all light conditions

The 5 MP resolution at full frame rate ensures great video quality with a high level of details. In bright situations the P-Iris gives an optimal image clarity and in complex lighting, or even in the dark, details will be discovered with the help of Forensic WDR together with Lightfinder. The CS-mount camera gives the flexibility to change lenses for different situations. To save bandwidth and storage Axis Zipstream technology optimizes the video stream while maintaining high video quality. Thanks to enhanced processing capabilities the camera is optimized for adding video analytics applications.

- > **5 MP resolution at 25/30 fps**
- > **CS-mount and i-CS support**
- > **Lightfinder and Forensic WDR**
- > **Zipstream**
- > **Enhanced capabilities for analytics**



AXIS P1367 Network Camera

Camera		External output activation Video recording to edge storage, Play audio clip Pre- and post-alarm video buffering PTZ preset, Guard tour, Overlay text Day/Night switching, Status LED activation Send SNMP trap
Image sensor	1/2.9" progressive scan RGB CMOS	
Lens	IR corrected, CS-mount lens, P-Iris Varifocal 2.8–8.5 mm, F1.2 Horizontal field of view: 104°–36° Vertical field of view: 55°–20°	
Day and night	Automatically removable infrared-cut filter	
Minimum illumination	Color: 0.15 lux B/W: 0.03 lux, at 50 IRE F1.2	
Shutter time	1/55500 s to 2 s	
Video		
Video compression	H.264 (MPEG-4 Part 10/AVC) Baseline, Main and High Profiles Motion JPEG	
Resolution	3072x1728 (5 MP) to 160x90	
Frame rate	25/30 fps (50/60 Hz) in all resolutions	
Video streaming	Multiple, individually configurable streams in H.264 and Motion JPEG Axis Zipstream technology in H.264 Controllable frame rate and bandwidth	
Multi-view streaming	Up to 8 individually cropped out view areas	
Image settings	Saturation, contrast, brightness, sharpness, forensic WDR: Up to 120 dB depending on scene, white balance, day/night threshold, exposure mode, exposure zones, compression, orientation: 0°, 90°, 180°, 270° including Corridor Format, mirroring of images, text and image overlay, privacy masks	
Pan/Tilt/Zoom	Digital PTZ Uploadable PTZ driver (Pelco D pre-installed)	
Audio		
Audio streaming	Two-way, full duplex	
Audio compression	AAC LC 8/16/32/48 kHz, G.711 PCM 8 kHz, G.726 ADPCM 8 kHz, Opus 8/16/48 kHz, LPCM 8/16/32/48 kHz Configurable bit rate	
Audio input/output	External microphone input or line input, line output, built-in microphone (can be disabled)	
Network		
Security	Password protection, IP address filtering, HTTPS ^a encryption, IEEE 802.1X ^a network access control, Digest authentication, User access log Brute force delay protection	
Supported protocols	IPv4, IPv6 USGv6, HTTP, HTTPS ^a , SSL/TLS ^a , QoS Layer 3 DiffServ, FTP, CIFS/SMB, SMTP, Bonjour, UPnP [™] , SNMP v1/v2c/v3 (MIB-II), DNS, DynDNS, NTP, RTSP, RTP, SFTP, SRTP, TCP, UDP, IGMP, RTCP, ICMP, DHCP, ARP, SOCKS, SSH	
System integration		
Application Programming Interface	Open API for software integration, including VAPIX [®] and AXIS Camera Application Platform, specifications at www.axis.com AXIS Video Hosting System (AVHS) with One-Click Connection ONVIF [®] Profile S and ONVIF [®] Profile G, specification at www.onvif.org	
Analytics	Included AXIS Video Motion Detection, active tampering alarm, audio detection Support for AXIS Camera Application Platform enabling installation of third-party applications, see www.axis.com/acap	
Event triggers	Analytics, edge storage events, external input, audio level, time scheduled	
Event actions	File upload: FTP, SFTP, HTTP, HTTPS, network share and email Notification: email, HTTP, HTTPS and TCP	
Data streaming	Event data	
Built-in installation aids	Focus assistant, pixel counter, remote back focus	
General		
Casing	Metal (zinc) Color lid: White NCS S 1002-B Color chassis: Black NCS S 9002-N	
Sustainability	PVC free	
Memory	1 GB RAM, 512 MB Flash	
Power	8–28 V DC, max 8.8 W, typical 5.0 W Power over Ethernet (PoE) IEEE 802.3af/802.3at Type 1 Class 3, max 8.9 W, typical 5.0 W	
Connectors	RJ45 10BASE-T/100BASE-TX PoE I/O: 4-pin 2.5 mm terminal block for two configurable inputs/outputs (12 V DC output, max. load 50 mA) RS485/RS422, 2 pcs, 2 pos, full duplex, terminal block DC input, terminal block, 3.5 mm mic/line in, 3.5 mm line out i-CS connector (compatible with P-Iris and DC-iris) Security lock slot	
Storage	Support for microSD/microSDHC/microSDXC card Support for recording to network-attached storage (NAS) For SD card and NAS recommendations see www.axis.com	
Operating conditions	0 °C to 50 °C (32 °F to 122 °F) Humidity 10–85% RH (non-condensing)	
Storage conditions	–40 °C to 65 °C (–40 °F to 149 °F)	
Approvals	EMC EN 55032 Class A, EN 61000-3-2, EN 61000-3-3, EN 55024, EN 61000-6-1, EN 61000-6-2, FCC Part 15 Subpart B Class A, ICES-003 Class A, VCCI Class A, RCM AS/NZS CISPR 32 Class A, KCC KN32 Class A, KN35 Safety IEC/EN/UL 62368-1 Network NIST SP500-267	
Dimensions	213 x 80 x 58 mm (8 3/8 x 3 1/8 x 2 1/4 in)	
Weight	750 g (1.7 lb)	
Included accessories	Connector kit, Installation Guide, Windows decoder 1-user license, Stand	
Optional accessories	Axis mounts, Axis lenses, Axis midspans For more accessories, see www.axis.com	
Video management software	AXIS Companion, AXIS Camera Station, Video management software from Axis' Application Development Partners available on www.axis.com/vms	
Languages	English, German, French, Spanish, Italian, Russian, Simplified Chinese, Japanese, Korean, Portuguese, Traditional Chinese	
Warranty	Axis 3-year warranty and AXIS Extended Warranty option, see www.axis.com/warranty	

a. This product includes software developed by the OpenSSL Project for use in the OpenSSL Toolkit (<http://www.openssl.org/>), and cryptographic software written by Eric Young (ey@cryptsoft.com).

Environmental responsibility:

www.axis.com/environmental-responsibility

LABEL



SPECIALIZING IN EXPLOSION PROOF TECHNOLOGY
8935 ALMEDA GENOA RD. HOUSTON, TEXAS 77075 USA
SERIAL: TIME-MO-DY-YEAR



MADE IN USA



CERT NO.
FM18US0262X & FM18CA0126X

MODEL: F(XX)-(CCCCCC)-BD
INPUT: VOLTS, WATTS

US: Class I Division 1 Groups BCD T6 Ta= -40°C to +60°C, Type 4X, IP66
Class II/III Division 1 Groups EFG Ta= -40°C to +60°C, Type 4X, IP66
Canada: Class I Division 1 Groups BCD T6 Ta= -50°C to +60°C, Type 4X, IP66
Class II/III Division 1 Groups EFG Ta= -50°C to +60°C, Type 4X, IP66
Class I, Zone 1, AEx/Ex db IIB+H2 T5 Gb Ta = -50°C to +60°C, Type 4X, IP66
Zone 21, AEx/Ex tb IIIC T85°C Db Ta = -50°C to +60°C, Type 4X, IP66



II 2 G Ex db IIB+H2 T5 Gb Ta = -50°C to +60°C, IP66
II 2 D Ex tb IIIC T85°C Db Ta = -50°C to +60°C, IP66
CERT NO. FM18ATEX0073X & IECEx FMG 18.0029X



WARNING: DO NOT OPEN WHEN ENERGIZED OR WHEN AN EXPLOSIVE ATMOSPHERE MAY BE PRESENT. INSTALL SEAL WITHIN 18 inches. For Zones, install seal at entry. WARNING – POTENTIAL ELECTROSTATIC CHARGING HAZARD – SEE INSTRUCTION. USE 110°C OR HIGHER RATED CONDUCTORS.

AVERTISSEMENT: NE PAS OUVRIR LORSQU'ENERGISE OU QUAND UNE ATMOSPHERE EXPLOSIVE PEUT ETRE PRESENTE. Les joints de fermeture sont obligatoires dans une distance de 18 pouces. Pour les zones, installez un sceau à l'entrée. AVERTISSEMENT - RISQUE DE CHARGE ÉLECTROSTATIQUE POTENTIEL - VOIR LES INSTRUCTIONS. UTILISEZ DES CONDUCTEURS COTÉS DE 110 ° C OU PLUS.



F1(XX)-(CCCCCC)-BD

XX= 01-99 IEC/EN/UL 60950-1, IEC/EN/UL 62368-1, IEC/EN/UL 60950-22 Internal Equipment Manufacturer Code**

C= Internal Equipment Part Number from Manufacturer***

BD= Optional Breather drain model****

*Internal components and F Series must be approved by Spectrum

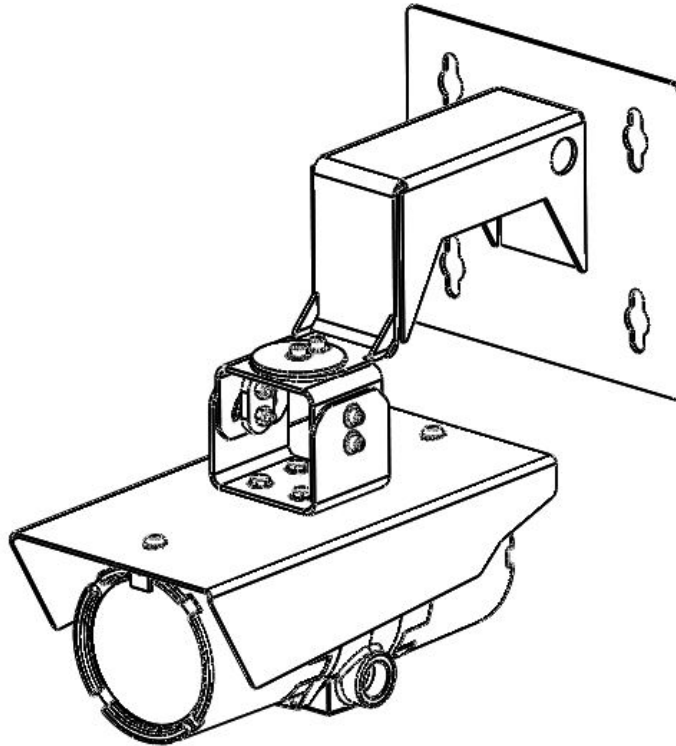
**Internal Equipment Manufacturer Code below

***Must be approved and verified by Spectrum

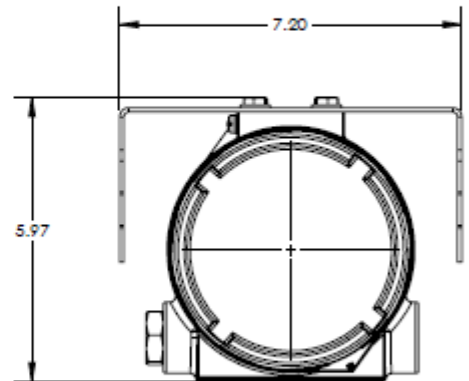
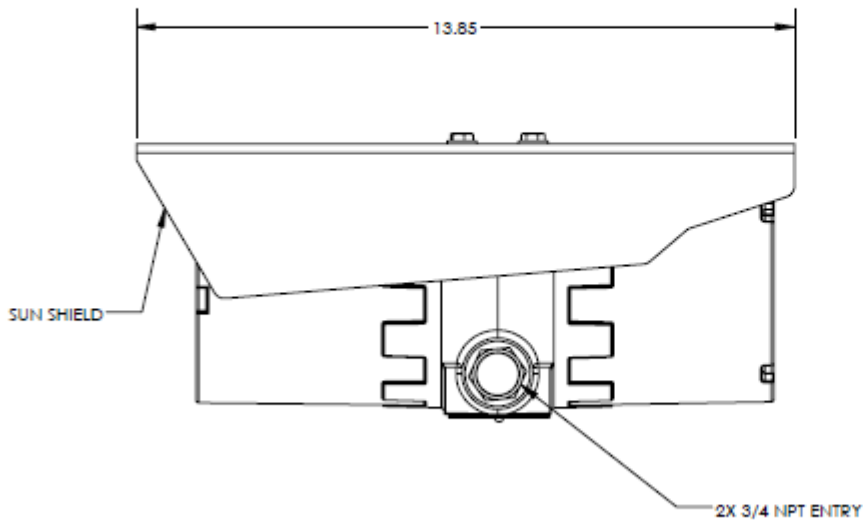
****Models supplied with Breather Drains will have IP66 ingress protection level

CODE "XX"	Manufacture
01	AXIS COMMUNICATIONS
02	PELCO/ONCAM GRANDEYE
03	Hanwha Techwin America
04	SONY
05	PANASONIC
06	INDIGOVISION
07	VIVOTEK
08	TKH GROUP/ SIQURA
09	Arecont Vision
10	AVIGILON
11	HIKVISION
12	BOSCH
13	DVTEL
14	Siemens
15	Tyco/American dynamics
16	Vicon
17	FLIR
18-99	Additional Models Spectrum reserves the right to add additional compliant manufacturers in the future within constraints of our certification

SHOWN WITH WALL MOUNT



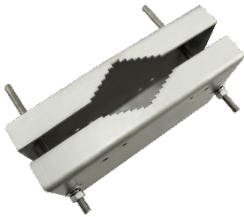
DIMENSIONS



F1XX-WM wall mount (*required*)



SPMA-SD pole mount adapter



SD-VM Vibration dampening Mount



SD-CM Corner mount adapter



SF-FP Fall Protection Lanyard Kit
For fixed cameras



SD-SO Stand-off

