



F101-Q1615-BD

Hazardous area real-time monitoring

SPECTRUM - F1xx is Hazardous Rated cFMus Class I II III, Division 1, Groups: B, C, D, E, F, G and IECEx-ATEX Zone 1/21 IIB+H2 The F1xx series product line offers true high-definition (HD) IP digital cameras designed to operate in the worlds harshest locations.

The F1xx series provide an easily installed POE solution for hazardous area integration. The series is available in powder coated copper free aluminum ensuring protection against rain, dust and corrosion within a wide temperature range between -50°C to +60°C. This feature ensures operation under extreme weather conditions and hazardous environments. It is suitable for monitoring wide open indoor/outdoor spaces such as refineries, wellheads, pipelines, offshore installations, remote and harsh locations where high-level reliability and precision are always required.



AXIS Q1615 Mk II Network Camera

High-speed excellence with i-CS lens

AXIS Q1615 Mk II is equipped with an i-CS lens, enabling the camera to adjust zoom and focus during remote setup, resulting in easy and quick installation. The camera delivers enhanced Lightfinder technology and WDR – Forensic Capture, optimizing video for forensic purposes in scenes with complex lightning. With up to 50/60 fps in HDTV 1080p and up to 100/120 fps in HDTV 720p, the camera captures all fast moving objects and people in sharp video. Furthermore, the camera features Scene Profiles with Forensic, Live and Traffic Overview profiles, allowing for automatic adjustment of image settings to meet specific surveillance needs.

- > [Support for i-CS lens](#)
- > [Scene Profiles with automatically adjusted image settings](#)
- > [Lightfinder technology and WDR – Forensic Capture](#)
- > [Electronic Image Stabilization](#)
- > [Axis Zipstream technology](#)



AXIS Q1615 Mk II Network Camera

Camera	
Image sensor	Progressive scan RGB CMOS 1/2.8"
Lens	Varifocal, IR corrected, CS-mount 2.8–8.5 mm, F1.2 HDTV 720p: Horizontal field of view: 74°–26° Vertical field of view: 41°–15° HDTV 1080p: Horizontal field of view: 115°–39° Vertical field of view: 61°–22° i-CS lens
Day and night	Automatically removable infrared-cut filter
Minimum illumination	HDTV 1080p 25/30 fps: Color: 0.11 lux, B/W: 0.02 lux, at 50 IRE F1.2 HDTV 1080p 50/60 fps: Color 0.22 lux, B/W: 0.04 lux, at 50 IRE F1.2 HDTV 720p 100/120 fps: Color 0.44 lux, B/W: 0.09 lux, at 50 IRE F1.2
Shutter time	1/143000 to 2 s
Pan/Tilt/Zoom	Digital PTZ, uploadable PTZ driver (Pelco D pre-installed)
Video	
Video compression	H.264 (MPEG-4 Part 10/AVC), Main, Baseline and High Profile, Motion JPEG
Resolution	HDTV 720p 100/120 fps (no WDR): 1280x720 to 160x90 HDTV 1080p 25/30 fps (WDR): 1920x1080 to 160x90 HDTV 1080p 50/60 fps (no WDR): 1920x1080 to 160x90
Frame rate	Up to 100/120 fps (50/60 Hz) in 720p (no WDR)
Video streaming	Multiple, individually configurable streams in H.264 and Motion JPEG Controllable frame rate and bandwidth Axis Zipstream technology in H.264 VBR/MBR H.264
Image settings	Compression, color, brightness, sharpness, contrast, white balance, exposure control, exposure zone, fine tuning of behavior at low light, text and image overlay, privacy mask, mirroring of images Rotation: auto, 0°, 90°, 180°, 270° including Corridor Format WDR – forensic capture: Up to 120 dB depending on scene, barrel distortion correction, day/night shift level, electronic image stabilization, local contrast, defogging Scene profiles: forensic, live, traffic overview
Audio	
Audio streaming	Two-way
Audio compression	24bit LPCM, AAC-LC 8/16/32/48 kHz, G.711 PCM 8 kHz, G.726 ADPCM 8 kHz, Opus 8/16/48 kHz Configurable bit rate
Audio input/output	Built-in microphone (can be disabled) External balanced/unbalanced microphone or line input, line output 24 bit AD/DA-conversion
Network	
Security	Brute force delay protection. Password protection, IP address filtering, HTTPS ^a encryption, IEEE 802.1X ^a network access control, Digest authentication, User access log, Centralized Certificate Management
Supported protocols	IPv4, IPv6 USGv6, HTTP, HTTPS ^a , SSL/TLS ^a , QoS Layer 3 DiffServ, FTP, CIFS/SMB, SMTP, Bonjour, UPnP TM , SNMPv1/v2c/v3 (MIB-II), DNS, DynDNS, NTP, RTSP, RTP, SFTP, SRTP, TCP, UDP, IGMP, RTCP, ICMP, DHCP, ARP, SOCKS, SSH, LLDP
System integration	
Application Programming Interface	Open API for software integration, including VAPIX [®] and AXIS Camera Application Platform; specifications at www.axis.com AXIS Video Hosting System (AVHS) with One-Click Connection ONVIF Profile S, specifications at www.onvif.org
Analytics	Included AXIS Video Motion Detection, AXIS Fence Guard, AXIS Motion Guard, active tampering alarm, audio detection Supported
	AXIS Perimeter Defender Support for AXIS Camera Application Platform enabling installation of third-party applications, see www.axis.com/acap
Event triggers	Analytics, Edge storage events, External input Shock detection Day/Night Mode, Live Stream Accessed, Network, Temperature, Manual Trigger, Virtual Inputs, PTZ Control, System Ready, Schedule
Event actions	File upload: FTP, SFTP, HTTP, HTTPS, network share and email, send video clip Notification: email, HTTP, HTTPS and TCP Overlay text, Send SNMP Trap Video and audio recording to edge storage Pre- and post-alarm video buffering External output activation, day/night vision mode, play audio clip, status LED, WDR mode Defog mode, PTZ control
Data streaming	Event data
Built-in installation aids	Leveling assistant i-CS: Remote zoom and focus Other lens: Remote back focus Camera orientation aid Traffic wizard Pixel counter
General	
Casing	Casing: Metal (zinc) Color lid: Silver RAL 9006 Color chassis: Black - NCS S 9000-N
Sustainability	PVC free
Memory	512 MB RAM, 256 MB Flash
Power	Power over Ethernet (PoE) IEEE 802.3af/802.3at Type 1 Class 3, max 7.1 W, typical 4.4 W 8–28 V DC, max 6.9 W, typical 4.3 W
Connectors	RJ45 10BASE-T/100BASE-TX PoE, 3.5 mm mic/line in, 3.5 mm line out DC input RS485/RS422, Terminal block for two configurable inputs/outputs (12 V DC output, max load 50 mA)
Storage	Support for microSD/microSDHC/microSDXC card SD card encryption Support for recording to network-attached storage (NAS) For SD card and NAS recommendations see www.axis.com
Operating conditions	0 °C to 55 °C (32 °F to 131 °F) Humidity 10–85% RH (non-condensing) Up to 60 °C (140 °F) when mounted inside AXIS T92E20 Housing
Storage conditions	–40 °C to 65 °C (–40 °F to 149 °F)
Approvals	EN 55032 Class A, EN 61000–3–2, EN 61000–3–3, EN 55024, EN 61000–6–1, EN 61000–6–2, FCC Part 15 Subpart B Class A, ICES–003 Class A, VCCI Class A, RCM AS/NZS CISPR 22 Class A, IEC/EN/UL 60950–1 KCC KN32 Class A, KN35 NIST SP500–267
Dimensions	82 x 58 x 136 mm (3 1/4 x 2 1/4 x 5 3/8 in)
Weight	750 g (1.7 lb)
Included accessories	Stand Connector kit, Resistorx [®] T20 tool, Installation Guide, Windows decoder 1-user license
Optional accessories	Axis optional lenses, AXIS T90B Illuminators, Axis network cable couplers, AXIS T8129 PoE Extender, AXIS T8120 Midspan 15 W 1-port For more accessories, see axis.com
Video management software	AXIS Companion, AXIS Camera Station, Video management software from Axis' Application Development Partners available on www.axis.com/vms
Languages	English, German, French, Spanish, Italian, Russian, Simplified Chinese, Japanese, Korean, Portuguese, Traditional Chinese
Warranty	Axis 3-year warranty and AXIS Extended Warranty option, see www.axis.com/warranty

- a. *This product includes software developed by the OpenSSL Project for use in the OpenSSL Toolkit (<http://www.openssl.org/>), and cryptographic software written by Eric Young (ey@cryptsoft.com).*

Environmental responsibility:

www.axis.com/environmental-responsibility

LABEL



SPECIALIZING IN EXPLOSION PROOF TECHNOLOGY
8935 ALMEDA GENOA RD. HOUSTON, TEXAS 77075 USA
SERIAL: TIME-MO-DY-YEAR



MADE IN USA



CERT NO.
FM18US0262X & FM18CA0126X

MODEL: F(XX)-(CCCCCC)-BD
INPUT: VOLTS, WATTS

US: Class I Division 1 Groups BCD T6 Ta= -40°C to +60°C, Type 4X, IP66
Class II/III Division 1 Groups EFG Ta= -40°C to +60°C, Type 4X, IP66
Canada: Class I Division 1 Groups BCD T6 Ta= -50°C to +60°C, Type 4X, IP66
Class II/III Division 1 Groups EFG Ta= -50°C to +60°C, Type 4X, IP66
Class I, Zone 1, AEx/Ex db IIB+H2 T5 Gb Ta = -50°C to +60°C, Type 4X, IP66
Zone 21, AEx/Ex tb IIIC T85°C Db Ta = -50°C to +60°C, Type 4X, IP66



II 2 G Ex db IIB+H2 T5 Gb Ta = -50°C to +60°C, IP66
II 2 D Ex tb IIIC T85°C Db Ta = -50°C to +60°C, IP66
CERT NO. FM18ATEX0073X & IECEx FMG 18.0029X



WARNING: DO NOT OPEN WHEN ENERGIZED OR WHEN AN EXPLOSIVE ATMOSPHERE MAY BE PRESENT. INSTALL SEAL WITHIN 18 inches. For Zones, install seal at entry. WARNING – POTENTIAL ELECTROSTATIC CHARGING HAZARD – SEE INSTRUCTION. USE 110°C OR HIGHER RATED CONDUCTORS.

AVERTISSEMENT: NE PAS OUVRIR LORSQU'ENERGISE OU QUAND UNE ATMOSPHERE EXPLOSIVE PEUT ETRE PRESENTE. Les joints de fermeture sont obligatoires dans une distance de 18 pouces. Pour les zones, installez un sceau à l'entrée. AVERTISSEMENT - RISQUE DE CHARGE ÉLECTROSTATIQUE POTENTIEL - VOIR LES INSTRUCTIONS. UTILISEZ DES CONDUCTEURS COTÉS DE 110 ° C OU PLUS.



F1(XX)-(CCCCCC)-BD

XX= 01-99 IEC/EN/UL 60950-1, IEC/EN/UL 62368-1, IEC/EN/UL 60950-22 Internal Equipment Manufacturer Code**

C= Internal Equipment Part Number from Manufacturer***

BD= Optional Breather drain model****

*Internal components and F Series must be approved by Spectrum

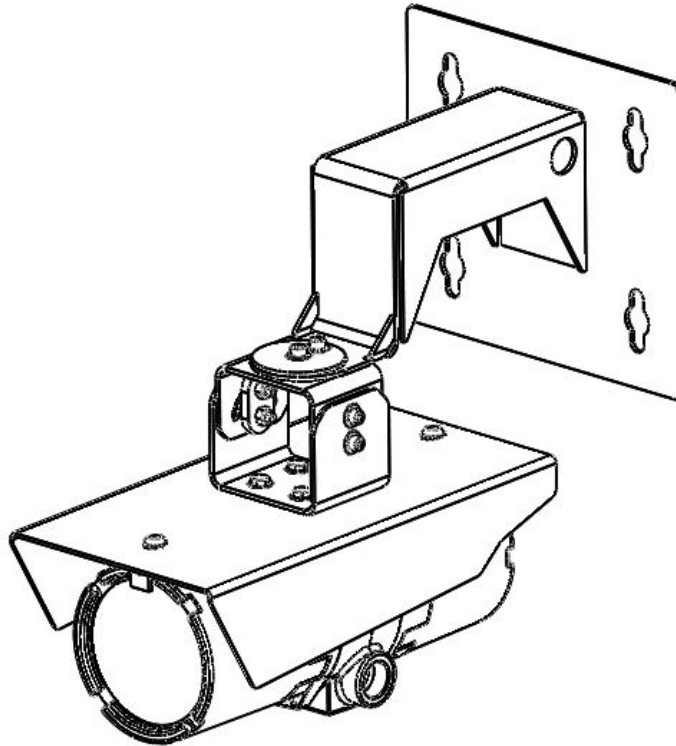
**Internal Equipment Manufacturer Code below

***Must be approved and verified by Spectrum

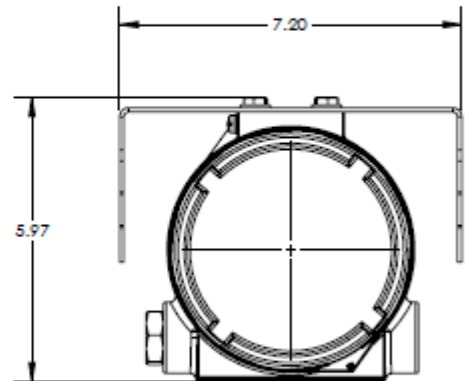
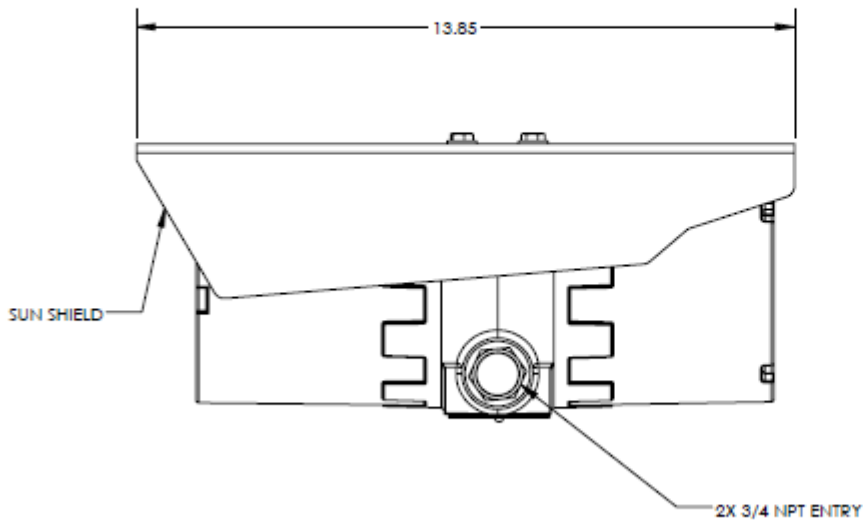
****Models supplied with Breather Drains will have IP66 ingress protection level

CODE "XX"	Manufacture
01	AXIS COMMUNICATIONS
02	PELCO/ONCAM GRANDEYE
03	Hanwha Techwin America
04	SONY
05	PANASONIC
06	INDIGOVISION
07	VIVOTEK
08	TKH GROUP/ SIQURA
09	Arecont Vision
10	AVIGILON
11	HIKVISION
12	BOSCH
13	DVTEL
14	Siemens
15	Tyco/American dynamics
16	Vicon
17	FLIR
18-99	Additional Models Spectrum reserves the right to add additional compliant manufacturers in the future within constraints of our certification

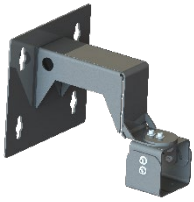
SHOWN WITH WALL MOUNT



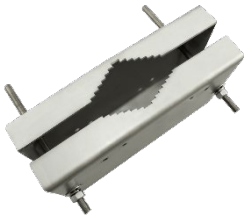
DIMENSIONS



F1XX-WM wall mount (*required*)



SPMA-SD pole mount adapter



SD-VM Vibration dampening Mount



SD-CM Corner mount adapter



SF-FP Fall Protection Lanyard Kit
For fixed cameras



SD-SO Stand-off

