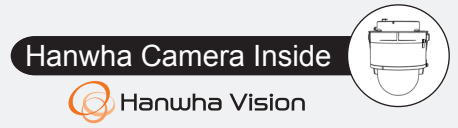
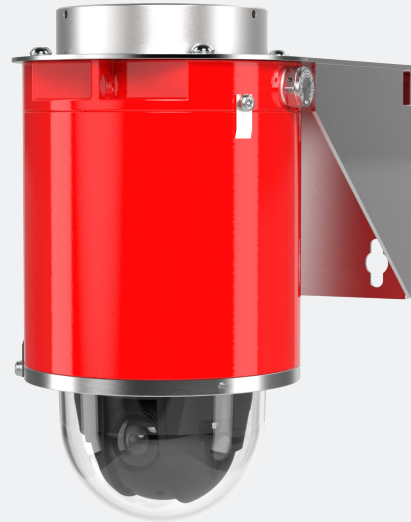


Spectrum-D203-X-XNP-C9253-BD

Explosion-Proof Ultra-HD 8MP (4K) PTZ Camera

Key Features

- UHD 8MP (4K) Resolution
- 5 ~ 125mm (25x) Optical Zoom
- 32x Digital Zoom
- Intelligent Analytics
- Object Tracking - (Person, Vehicle)
- Target Lock Tracking
- H.264, H.265, MJPEG codec, WiseStream III
- Reliable Securing Kit (SD-RSK) included
- Made in USA
- NDAA-Compliant
- cFMus, Class I/II/III, Division 1, Zone 1/21, IECEx, ATEX, INMETRO, UKCA and PESO approved.
- Operating Temperature: -20°C to +55°C



Description

Spectrum D203-X-XNP-C9253-BD Explosion-Proof PTZ camera provides Ultra-HD 8MP (4K) image resolution with 25x Optical Zoom and 32x Digital Zoom for outstanding video quality. Enclosed in a patented stainless-steel or red powder coated Marine-Grade aluminum explosion-proof housing, it's certified (cFMus, IECEx, ATEX, INMETRO, UKCA and PESO approved) for use in potentially combustible environments.

Specifications

Spectrum D203-X-XNP-C9253-BD

Camera		System integration	
Image sensor	1/2.8" CMOS	Application programming interface	ONVIF@: Profile G, Profile M, Profile S and Profile T Others: SUNAPI(HTTP API), Hanwha Vision Open Platform
Lens	5 ~ 125 mm, F1.6-3.73 Horizontal field of view: 57.42° ~ 2.71° Vertical field of view: 33.54° ~ 1.55° DC Auto Iris	Analytics	
Day and night	Auto ICR	Event triggers	Analytics, Network disconnect, Alarm input, Time schedule, MQTT subscription
Minimum illumination	Color: 0.1 lux at 30 IRE B/W: 0.01 lux at 30 IRE	Event actions	File upload(image): e-mail/FTP/SFTP, File upload(video clip): FTP/SFTP, Notification: e-mail, Recording: SD/SDHC/SDXC or NAS recording at event triggers, Alarm output, Handover: PTZ preset, send message by HTTP/HTTPS/TCP, Audio clip playback, MQTT: publication
Shutter speed	2 ~ 1/12,000 s	Object Analytics	Object classes: Person, Face, Vehicle, (car, bus, truck, motorcycle, bicycle), License plate Trigger conditions: Based on AI Type: Object detection, Virtual line (Crossing/Direction), Virtual area (Loitering/Intrusion/Enter/Exit), Motion detection Normal: Tampering, Fog detection, Audio detection, Sound classification, Shock detection, Virtual area (Appear/Disappear)
Shutter control	Minimum, Maximum, Anti flicker, Prefer shutter control (Based on AI engine)	Security	
Pan/Tilt/Zoom	Pan: 360° endless Tilt: 90° ~ -20° Zoom: 25x optical, 32x digital, total 800x zoom Sequence: Preset(300ea), Swing, Group(6ea), Trace, Tour, Auto Run, Schedule Preset Accuracy: Up to ±0.1°, Pan/Tilt correction	Network Authentication	IEEE 802.1X(EAP-TLS, EAP-LEAP, EAP-PEAP, MSCHAPv2)
Minimum illumination	Color: 0.1 lux at 30 IRE B/W: 0.01 lux at 30 IRE	Secure Communication	HTTPS, WSS (WebSocket Secure), SRTP
Backlight compensation	BLC, HLC, WDR, SDDR	Access Control	IP-based access control
Digital noise reduction	WiseNR II (Based on AI engine), SSNR V	Data Protect	Encryption credentials, Encrypt compress for live recording file export
White balance	ATW, NarrowATW, AWC, Manual, Indoor, Outdoor, Mercury, Sodium	Audit	Access / System / Event Log management
Motion detection	Quantity: 8ea Shape: 8point Polygonal zones	Security certificate	TPM 2.0 with FIPS 140-2 level2
Privacy Masking	Quantity: 32ea Shape: 4point Quadrangle zones Color / Option: Gray, Green, Red, Blue, Black, White, Mosaic	General	
Gain control	Off, Max gain, Manual	Casing (x)	A = Aluminum S = Stainless Steel
System on chip (SoC)		Weight	A = 32 lbs (14 kg) S = 68 lbs (28 kg)
Memory	4 GB RAM, 512 MB Flash	Dimensions	Height: 15.9 in (404 mm) ø 8.6 in (218 mm)
Video		Power Consumption PoE	Max. 25.5W, Typical 24W
Video compression	H.265/H.264: Main/Baseline/High, MJPEG	Input Voltage	PoE+ (IEEE802.3at, Class4)
Frame rate	H.265/H.264: 30fps/25fps(60Hz/50Hz) MJPEG: 30fps(@8MP Max. 5fps)	Storage Conditions	-40°C to 65°C
Resolution	3840x2160, 2592x1944, 2592x1464, 1920x1080, 1600x1200, 1280x1024, 1280x960, 1280x720, 1024x768, 800x600, 800x448, 720x576, 720x480, 640x480, 640x360, 320x240	Operating Conditions	-20°C to +55°C Humidity 10-100% RH (condensing)
Video rotation	Flip & Mirror	Warranty	5-year limited warranty, see spectrumcamera.com/warranty for more information
Smart codec	Manual, WiseStream III		
Bitrate control	H.265/H.264: CBR or VBR, MJPEG: VBR		
Streaming	Unicast: Up to 20 users Multicast: Support Multiple Streaming: Up to 10 profiles		
Network			
Supported protocols	IPv4, IPv6, TCP/IP, UDP/IP, RTP(UDP), RTP(TCP), RTCP, RTSP, NTP, HTTP, HTTPS, SSL/TLS, DHCP, FTP, SFTP, SMTP, ICMP, IGMP, SNMPv1/v2c/v3(MIB-2), ARP, DNS, DDNS, QoS, UPnP, Bonjour, LLDP, CDP, SRTP(TCP, UDP Unicast), MQTT, NTCIP 1205		

Approvals & Dimensions

Approvals

Hazardous Area

FM3600, FM3615, ANSI/ISA/EN/IEC/CAN/CSA-C22.2 60079-0, ANSI/UL/EN/IEC/CAN/CSA-C22.2 60079-1, ANSI/UL/EN/IEC/CAN/CSA-C22.2 60079-31

EMC

EN 55032 Class A, EN 50121-4, IEC 62236-4, EN 55024, EN 61000-6-1, EN 61000-6-2, FCC Part 15 Subpart B Class A, ICES-003 Class A, VCCI Class A, RCM AS/NZS CISPR 32 Class A, KC KN32 Class A, KC KN35

Safety

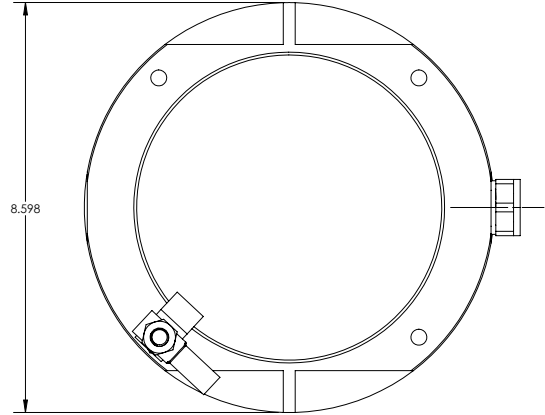
IEC/EN/UL 60950-22, IEC/EN/UL 62368-1, IS 13252

Environment

IEC 60068-2-1, IEC 60068-2-2, IEC 60068-2-6, IEC 60068-2-14, IEC 60068-2-27, IEC 60068-2-78, IEC/EN 60529 IP66/IP67, IEC/EN 62262 IK10, NEMA 250 Type 4X, NEMA TS 2 (2.2.7-2.2.9)

Network

NIST SP500-267



Explosion-proof Certifications

USA (Divisions):

Class I Division 1 Groups B,C,D T6, type 4X, IP66/67

Class II/III, Division 1, Groups E,F,G T6

Ta = -20°C to +55°C

Certificate: FM17US0156X

USA and Canada (Zones):

Class I, Zone 1, AEx/Ex db IIB+H2 T6 Gb Ta

-20°C to +55°C, Type 4X, IP66/67

Zone 21, AEx/Ex tb IIIC T85 °C Db Ta = -20°C to

+55°C, Type 4X, IP66/67

Certificate: FM17US0156X and FM18CA0103X

ATEX:

II 2 G Ex db IIB+H2 T6 Gb Ta = -20°C to +55°C,

IP66/67

II 2 D Ex tb IIIC T85 °C Db Ta = -20°C to +55°C,

IP66/67

Certificate: FM18ATEX0057X

IECEX:

Ex db IIB+H2 T6 Gb Ta = -20°C to +55°C, IP66/67

Ex tb IIIC T85 °C Db Ta = -20°C to +55°C, IP66/67

Certificate: FMG 18.0020X

INMETRO:

Ex db IIB+H2 T6 Gb Ta = -20°C to +55°C, IP66/67

Ex tb IIIC Db T85 °C Ta = -20°C to +55°C, IP66/67

Certificate number: NCC 20.0083 X

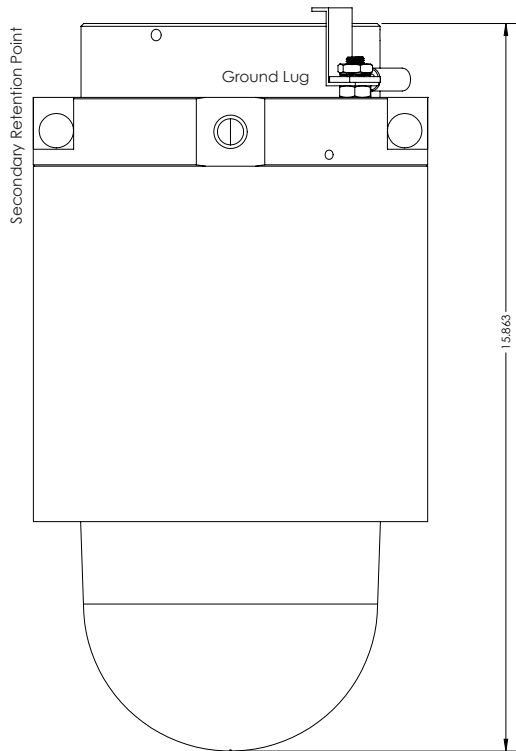
PESO:

Ex db IIB+H2 T6 Gb Ta = -20°C to +55°C, IP66/67

Ex tb IIIC T85 °C Db Ta = -20°C to +55°C, IP66/67

Certificate: FMG 18.0020X

Approval No: A/P/HQ/MH/104/7899 (P578984)



8935 ALMEDA GENOA RD.
HOUSTON, TEXAS 77075
USA



8935 ALMEDA GENOA RD. HOUSTON, TEXAS 77075 USA



MADE IN USA
CERT NO.
FM17US0156X
FM18CA0103X



8935 ALMEDA GENOA RD. HOUSTON, TEXAS 77075 USA
No. SERIE: TIME-DY-MN-YEAR

FABRICADO NO EUA
CERT NO. NCC 20.0083 X
MODELO: D203-A-XNP-C9253-BD
ALIMENTAÇÃO:IEEE802.3at; 25.5W

CERT NO. FM17US0156X

INPUT: IEEE802.3at; 25.5W

SPECIALIZING IN EXPLOSION PROOF TECHNOLOGY

MODEL NUMBER: D203-A-XNP-C9253-BD

SERIAL:

Class I Division 1 Groups B,C,D T6, Type 4X, IP66

Class II/III, Division 1, Groups E,F,G T6

-WARNINGS: Ta = -20°C to +55°C

-NOT INCLUDING KETONE OR ESTER ATMOSPHERES

-CONDUIT ENTRIES ARE M20 X 1.5

-DO NOT OPEN WHEN AN EXPLOSIVE ATMOSPHERE MAY BE PRESENT

-INSTALL SEAL AT ENCLOSURE ENTRY

US Patent 9917428

US Patent D858611

MODEL: D203-A-XNP-C9253-BD
INPUT: IEEE802.3at; 25.5W

SERIAL:

Class I, Zone 1, AEx/Ex db IIB+H2 T6 Gb Ta = -20°C to +55°C, Type 4X, IP66

Zone 21, AEx/Ex tb IIIC T85°C Db Ta = -20°C to +55°C, Type 4X, IP66

II 2 G Ex db IIB+H2 T6 Gb Ta = -20°C to +55°C, IP66

II 2 D Ex tb IIIC T85°C Db Ta = -20°C to +55°C, IP66

CERT NO. FM18ATEX0057X, IECEx FMG 18.0020X, FM22UKEX0028X

WARNING:DO NOT OPEN WHEN ENERGIZED OR WHEN AN EXPLOSIVE ATMOSPHERE MAY BE PRESENT

INSTALL SEAL AT ENCLOSURE ENTRY

www.spectrumcamera.com

US Patent 9917428

US Patent D858611



NCC 20.0083 X

Ex db IIB+H2 T6 Gb Ta = -20°C to +55°C

Ex tb IIIC T85°C Db Ta = -20°C to +55°C

IP66

ATENÇÃO:

-ENTRADAS DE CABOS M20 X 1.5

- NÃO ABRA ENQUANTO UMA ATMOSFERA EXPLOSIVA PUDER ESTAR PRESENTE

- INSTALAR ANEL DE VEDAÇÃO NAS ENTRADAS

- NÃO ABRIR QUANDO ENERGIZADO

- RISCO POTENCIAL DE CARGA ELETROSTÁTICA - VER INSTRUÇÕES



-Patente EUA 9917428

-Patente EUA D858611