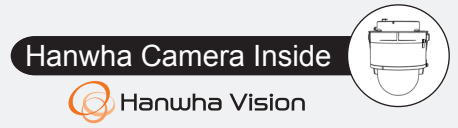
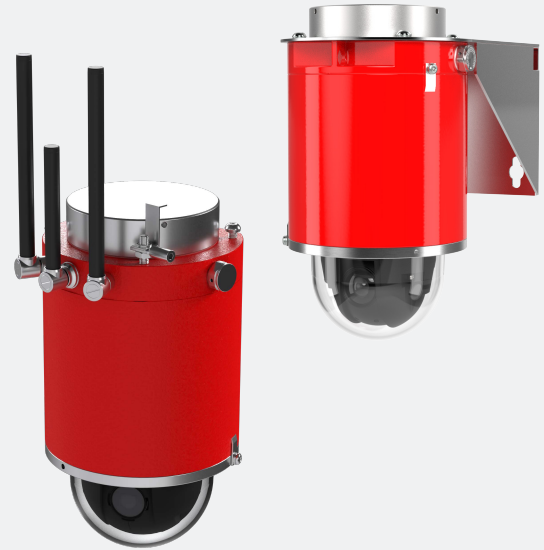


# Spectrum-D203-X-XNP-C6403-BD

Explosion-Proof 2MP 40x AI PTZ Camera

## Key Features

- 2MP image Resolution
- 40x Optical Zoom, 32x Digital Zoom
- Intelligent Analytics
- Object Tracking - (Person, Vehicle)
- Target Lock Tracking
- H.264, H.265, MJPEG codec, WiseStream II
- IP66, IK10
- Reliable Securing Kit (SD-RSK) included
- Made in USA
- NDAA-Compliant
- cFMus, Class I/II/III, Division 1, Zone 1/21, IECEx, ATEX, INMETRO, UKCA and PESO approved.
- Operating Temperature: -20°C to +55°C



## Description

Spectrum D203-X-XNP-C6403-BD Explosion-Proof AI PTZ camera provides 2 MP image resolution with 40x Optical Zoom and 32x Digital Zoom for outstanding video quality. Enclosed in a patented stainless-steel or red powder coated Marine-Grade aluminum explosion-proof housing, it's certified (cFMus, IECEx, ATEX and INMETRO approved) for use in potentially combustible environments.

Part Number	Description	MP	Image Sensor
D203-X-XNP-C6403-BD-01-01	PoE+ - IEEE 802.3at	2MP	1/2.8
D203-X-XNP-C6403-BD-02-02	Media Converter (SFP) - 120 / 240 VAC - 50 / 60 Hz	2MP	1/2.8
D203-X-XNP-C6403-BD-02-03-02-RUT241	Wireless - Teltonika 4G - 120 / 240 VAC - 50 / 60 Hz	2MP	1/2.8
D203-X-XNP-C6403-BD-02-03-02-RUT271	Wireless - Teltonika 5G - 120 / 240 VAC - 50 / 60 Hz	2MP	1/2.8

For 4G and 5G wireless models please add first suffix for operating region, eg (01 - Global, 02 - North America). Please call the office for more options  
For 4G and 5G wireless models please add second suffix for antenna type - (L - LTE), (W - Wi-Fi), (LW - LTE + Wi-Fi) and (LLW - LTE + LTE + Wi-Fi)



# Specifications

## D203-X-XNP-C6403-BD

### Video

Imaging Device	1/2.8" CMOS
Resolution	1920 x 1080, 1280 x 1024, 1280 x 960, 1280 x 720, 1024 x 768, 800 x 600, 800 x 448, 720 x 576, 720 x 480, 640 x 480, 640 x 360, 320 x 240
Maximum Framerate	H.265 / H.264 : Max 60fps/50fps (60Hz/50Hz) MJPEG : Max 30fps/25fps (60Hz/50Hz)
Minimum Illumination	Color : 0.05 Lux (F1.6, 1/30 sec) B/W : 0.005 Lux (F1.6, 1/30 sec)

### Lens

Focal Length (Zoom Ratio)	4.25 ~ 170mm (Optical 40x) (Digital 32x)
Maximum Aperture Ratio	F1.6 (Wide) / F4.95 (Tele)
Angular Field of View	H : 65.66° (Wide) ~ 1.88° (Tele) V : 39.4° (Wide) ~ 1.09° (Tele)
Minimum Object Distance	5m (16.4ft)
Focus Control	One shot AF, Focus save
Lens / Mount Type	DC Auto Iris

### Pan/tilt/rotate

Pan / Tilt Range	360° Endless / 110° (90° ~ -20°)
Pan / Tilt Speed	Max 700°/sec, Manual : 0.024°/sec ~ 250°/sec
Sequence	Preset (300ea), Swing, Group (6ea), Trace, Tour, Auto run, Schedule
Preset Accuracy / Azimuth	Up to ±0.1°, Pan/Tilt correction

### Operational

Camera title	Displayed up to 85 characters
Direction Indicator	Support
Day & Night	Auto (ICR)
Backlight Compensation	BLC / HLC / WDR / SSSDR
Wide Dynamic Range	Extreme WDR (150dB)
Contrast Enhancement	SSDR (Off / On)
Digital Noise Reduction	WiseNR II (Based on AI engine), SSNR V
Digital Image Stabilization	Support (Built-in Gyro sensor)
Defog	Support
Motion Detection	8ea, 8point polygonal zones)
Privacy Masking	32ea, 4point Quadrangle zones - Color: Gray / Green / Red / Blue / Black / White - Mosaic
Gain Control	Off / Max gain / Manual
White Balance	ATW / NarrowATW / AWC / Manual / Indoor / Outdoor / Mercury / Sodium
Electronic Shutter Speed	Minimum / Maximum / Anti flicker (2 ~ 1/12,000sec) Preferred shutter control (Based on AI engine)
Digital Zoom	40x
Video Rotation	Flip & Mirror
Analytics	Classified object type : Person / Face / Vehicle / Licence Plate Attributes : Vehicle (Type : car / bus / truck / motorcycle / bicycle) Support Detection Shot Analytics events based on AI engine - Object Detection, Virtual line (Crossing / Direction). Virtual area (Loitering / Intrusion / Enter / Exit). Motion Detection - Tampering, Fog Detection, Shock Detection, Virtual area (Appear / Disappear) * Audio detection Sound classification (Via optional I/O box SPM-4210)
Alarm Triggers	Analytics, Network disconnect, Alarm input (Via optional I/O box SPM-4210), Time schedule, MQTT subscription

### Alarm Events

When alarm trigger occurred

- File upload (image) : email / FTP / SFTP
- File upload (video clip) : FTP / SFTP
- Notification : email
- Recording : SD / SDHC / SDXC or NAS recording at event triggers
- Handover : PTZ preset, send message by HTTP / HTTPS / TCP
- Audio clip playback
- MQTT : publication
- \* Alarm output / Audio clip playback (Via optional I/O box SPM-4210)

### Water Removal

Support (Spin dry, Lens heater)

### Auto Tracking

Support  
Object auto tracking (Person / Vehicle)  
Target lock tracking

### Network

Ethernet	Metal shielded RJ-45 (10/100 BASE-T)
Video Compression Format	H.265 / H.264 : Main / /Baseline / High, MJPEG
Smart Codec	Manual mode (5ea area), WiseStream II, WiseStream III (based on AI engine)
Video Quality Adjustment	H.265 / H.264 / MJPEG : Target bitrate level control
Bitrate Control Method	H.265 / H.264 : CBR or VBR, MJPEG : VBR
Streaming Capability	Unicast (20 users) / Multicast (128 users) Multiple Streaming (Up to 10 profiles)
Protocol	IPv4, IPv6, TCP/IP, UDP/IP, RTP(UDP), RTP(TCP), RTCP, RTSP, NTP, HTTP, HTTPS, SSL/TLS, DHCP, FTP/SFTP, SMTP, ICMP, IGMP, SNMPv1/v2c/v3(MIB-2), ARP, DNS, DDNS, QoS, UPnP, Bonjour, LLDP, CDP, SRTP(TCP, UDP Unicast), NTCIP1205, MQTT
Application Programming Interface	ONVIF Profile S / G / T / M SUNAPI (HTTPS AI) Hanwha Vision Open Platform Oncloud edge recording, compatible with Hanwha Vision's Micro SD cards up to 1 TB

### Security

OS / Firmware Protect	Encrypted Firmware, Secure boot, Signed Firmware
User authentication	Digest Authentication, Prevent brute-force attacks
Network authentication	IEEE 802.1X (EAP-TLS, EAP-LEAP, EAP-PEAP, MSCHAPv2)
Secure Communication	HTTPS, WSS (WebSocket Secure), SRTP
Access Control	IP-based access control
Data Protect	Encryption Credentials, Encrypt compress for live recording file export
Audit	Access / System / Event Log management
Device ID	Device certificate (Hanwha Vision Root CA)
Secure Storage	TPM (Trusted platform module), SD card partition encrypt (AES-256)
Security Certificate	TPM with FIPS 140-2 level 2

# Specifications

## General

Casing (x)	A = Aluminum S = Stainless Steel
Weight	A = 32 lbs (14 kg) S = 68 lbs (28 kg)
Dimensions	Height: 15.9 in (404 mm) ø 8.6 in (218 mm)
Power Consumption PoE	Max. 25.5W, Typical 24W

Input Voltage	PoE+ (IEEE802.3at, Class4)
Storage Conditions	-40°C to 65°C
Operating Conditions	-20°C to +55°C Humidity 10-100% RH (condensing)
Warranty	5-year limited warranty, see spectrumcamera.com/warranty for more information

# Approvals & Dimensions

## Approvals

### Hazardous Area

FM3600, FM3615, ANSI/ISA/EN/IEC/CAN/CSA-C22.2 60079-0, ANSI/UL/EN/IEC/CAN/CSA-C22.2 60079-1, ANSI/UL/EN/IEC/CAN/CSA-C22.2 60079-31

### EMC

EN 55032 Class A, EN 50121-4, IEC 62236-4, EN 55024, EN 61000-6-1, EN 61000-6-2, FCC Part 15 Subpart B Class A, ICES-003 Class A, VCCI Class A, RCM AS/NZS CISPR 32 Class A, KC KN32 Class A, KC KN35

### Safety

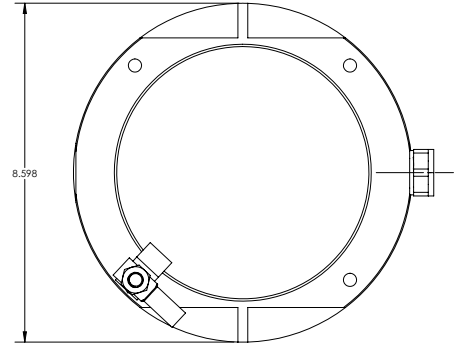
IEC/EN/UL 60950-22, IEC/EN/UL 62368-1, IS 13252

### Environment

IEC 60068-2-1, IEC 60068-2-2, IEC 60068-2-6, IEC 60068-2-14, IEC 60068-2-27, IEC 60068-2-78, IEC/EN 60529 IP66/IP67, IEC/EN 62262 IK10, NEMA 250 Type 4X, NEMA TS 2 (2.2.7-2.2.9)

### Network

NIST SP500-267



## Explosion-proof Certifications

### USA (Divisions):

Class I Division 1 Groups B,C,D T6, type 4X, IP66/67  
Class II/III, Division 1, Groups E,F,G T6  
Ta = -20°C to +55°C  
Certificate: FM17US0156X

### USA and Canada (Zones):

Class I, Zone 1, AEx/Ex db IIB+H2 T6 Gb Ta  
-20°C to +55°C, Type 4X, IP66/67  
Zone 21, AEx/Ex tb IIIC T85 °C Db Ta = -20°C to +55°C, Type 4X, IP66/67  
Certificate: FM17US0156X and FM18CA0103X

### ATEX:

II 2 G Ex db IIB+H2 T6 Gb Ta = -20°C to +55°C, IP66/67  
II 2 D Ex tb IIIC T85 °C Db Ta = -20°C to +55°C, IP66/67  
Certificate: FM18ATEX0057X

### IECEX:

Ex db IIB+H2 T6 Gb Ta = -20°C to +55°C, IP66/67 Ex tb IIIC T85 °C Db Ta = -20°C to +55°C, IP66/67 Certificate: FMG 18.0020X

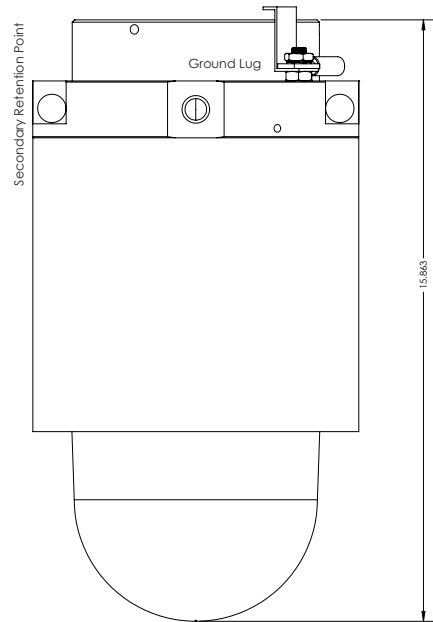
### INMETRO:

Ex db IIB+H2 T6 Gb Ta = -20°C to +55°C, IP66/67 Ex tb IIIC Db T85 °C Ta = -20°C to +55°C, IP66/67 Certificate number: NCC 20.0083 X

### PESO:

Ex db IIB+H2 T6 Gb Ta = -20°C to +55°C, IP66/67 Ex tb IIIC T85 °C Db Ta = -20°C to +55°C, IP66/67 Certificate: FMG 18.0020X

Approval No: A/P/HQ/MH/104/7899 (P578984)



8935 ALMEDA GENOA RD.  
HOUSTON, TEXAS 77075  
USA



8935 ALMEDA GENOA RD, HOUSTON, TEXAS 77075 USA



MADE IN USA  
CERT NO.  
FM17US0156X  
FM18CA0103X



8935 ALMEDA GENOA RD, HOUSTON, TEXAS 77075 USA  
No. SERIE: TIME-DY-MN-YEAR

FABRICADO NO EUA  
CERT NO. NCC 20.0083 X  
MODELO: D203-A-XNP-C6403-BD  
ALIMENTAÇÃO:IEEE802.3at; 25.5W

CERT NO. FM17US0156X  
INPUT: IEEE802.3at; 25.5W  
MODEL NUMBER: D203-A-XNP-C6403-BD SERIAL:

Class I Division 1 Groups B,C,D T6, Type 4X, IP66  
Class II/III, Division 1, Groups E,F,G T6

- WARNINGS: Ta = -20°C to +55°C
- NOT INCLUDING KETONE OR ESTER ATMOSPHERES
- CONDUIT ENTRIES ARE M20 X 1.5
- DO NOT OPEN WHEN AN EXPLOSIVE ATMOSPHERE MAY BE PRESENT
- INSTALL SEAL AT ENCLOSURE ENTRY

US Patent 9917428  
US Patent D858611

MODEL: D203-A-XNP-C6403-BD  
INPUT: IEEE802.3at; 25.5W SERIAL:

Class I, Zone 1, AEx/Ex db IIB+H2 T6 Gb Ta = -20°C to +55°C, Type 4X, IP66  
Zone 21, AEx/Ex tb IIIC T85°C Db Ta = -20°C to +55°C, Type 4X, IP66  
II 2 G Ex db IIB+H2 T6 Gb Ta = -20°C to +55°C, IP66  
II 2 D Ex tb IIIC T85°C Db Ta = -20°C to +55°C, IP66

CERT NO. FM18ATEX0057X, IECEx FMG 18.0020X, FM22UKEX0028X  
WARNING: DO NOT OPEN WHEN ENERGIZED OR WHEN AN EXPLOSIVE ATMOSPHERE MAY BE PRESENT  
INSTALL SEAL AT ENCLOSURE ENTRY US Patent 9917428  
US Patent D858611

www.spectrumcamera.com



NCC 20.0083 X

Ex db IIB+H2 T6 Gb Ta = -20°C to +55°C  
Ex tb IIIC T85°C Db Ta = -20°C to +55°C  
IP66

ATENÇÃO:  
- ENTRADAS DE CABOS M20 X 1.5  
- NÃO ABRA ENQUANTO UMA ATMOSFERA EXPLOSIVA PUDEIR ESTAR PRESENTE  
- INSTALAR ANEL DE VEDAÇÃO NAS ENTRADAS  
- NÃO ABRIR QUANDO ENERGIZADO  
- RISCO POTENCIAL DE CARGA ELETROSTÁTICA - VER INSTRUÇÕES

-Patente EUA 9917428  
-Patente EUA D858611