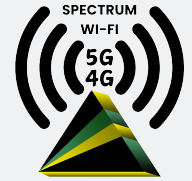


Spectrum F201-BBBBB-CC-DD-EE-FF

Explosion-Proof 2MP, 4MP, 5MP & 8MP (4K) Fixed Cameras

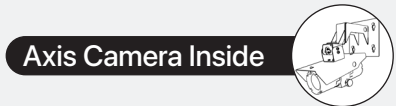


Key Features

- Excellent Image Quality 2MP, 4MP, 5MP & 8MP (4K)
- Analytics with Deep Learning (DPLU)
- Built-In Cybersecurity with Axis Edge Vault
- POE and Redundant DC Power
- 4G and 5G Wireless options available
- SPF Media Converter option available
- Operating Temperature
 - See table on Page 2
- Front Glass Protective Film (F2XX-TO) included
- Reliable Securing Kit (SF-RSK) included
- Made in USA
- NDAA-Compliant
- cFMus, Class I/II/III, Division 1, Groups BCDEFG
II 2 G Ex db IIB+H2 Gb
II 2 D Ex tb IIIC Db, IECEx & ATEX approved
- 5 Year Warranty with Registration



All cameras are supplied with the F2XX-GM mount, as shown.



Part No.	Description	MP	F Number	i-CS Lens	Image Sensor
F201-P1387-01-01	POE - IEEE 802.3bt - 90W	5.0	1.2	2.8 - 8.5	1 / 2.7
F201-P1387-02-02	Media Converter (SFP) - 120 / 240 VAC - 50 / 60 Hz	5.0	1.2	2.8 - 8.5	1 / 2.7
F201-P1387-02-03-03-XR60	Wireless - Sierra 5G - 120 / 240 VAC - 50 / 60 Hz	5.0	1.2	2.8 - 8.5	1 / 2.7
F201-P1387-02-03-02-RUT241	Wireless - Teltonika 4G - 120 / 240 VAC - 50 / 60 Hz	5.0	1.2	2.8 - 8.5	1 / 2.7
F201-P1388-01-01	POE - IEEE 802.3bt - 90W	8.0	1.5	3.9 - 10	1 / 1.8
F201-P1388-02-02	Media Converter (SFP) - 120 / 240 VAC - 50 / 60 Hz	8.0	1.5	3.9 - 10	1 / 1.8
F201-P1388-02-03-03-XR60	Wireless - Sierra 5G - 120 / 240 VAC - 50 / 60 Hz	8.0	1.5	3.9 - 10	1 / 1.8
F201-P1388-02-03-02-RUT241	Wireless - Teltonika 4G - 120 / 240 VAC - 50 / 60 Hz	8.0	1.5	3.9 - 10	1 / 1.8
F201-Q1656-01-01	POE - IEEE 802.3bt - 90W	4.0	1.5	3.9 - 10	1 / 1.8
F201-Q1656-02-02	Media Converter (SFP) - 120 / 240 VAC - 50 / 60 Hz	4.0	1.5	3.9 - 10	1 / 1.8
F201-Q1656-02-03-03-XR60	Wireless - Sierra 5G - 120 / 240 VAC - 50 / 60 Hz	4.0	1.5	3.9 - 10	1 / 1.8
F201-Q1656-02-03-02-RUT241	Wireless - Teltonika 4G - 120 / 240 VAC - 50 / 60 Hz	4.0	1.5	3.9 - 10	1 / 1.8
F201-Q1715-01-01	POE - IEEE 802.3bt - 90W	2.0	1.6 - 4.5	21 x	1 / 2.8
F201-Q1715-02-02	Media Converter (SFP) - 120 / 240 VAC - 50 / 60 Hz	2.0	1.6 - 4.5	21 x	1 / 2.8
F201-Q1715-02-03-03-XR60	Wireless - Sierra 5G - 120 / 240 VAC - 50 / 60 Hz	2.0	1.6 - 4.5	21 x	1 / 2.8
F201-Q1715-02-03-02-RUT241	Wireless - Teltonika 4G - 120 / 240 VAC - 50 / 60 Hz	2.0	1.6 - 4.5	21 x	1 / 2.8
F201-Q1728(13)-01-01	POE - IEEE 802.3bt - 90W	8.0	1.6 - 2.9	5.9 - 13.3	1 / 1.2
F201-Q1728(13)-02-02	Media Converter (SFP) - 120 / 240 VAC - 50 / 60 Hz	8.0	1.6 - 2.9	5.9 - 13.3	1 / 1.2
F201-Q1728(13)-02-03-03-XR60	Wireless - Sierra 5G - 120 / 240 VAC - 50 / 60 Hz	8.0	1.6 - 2.9	5.9 - 13.3	1 / 1.2
F201-Q1728(13)-02-03-02-RUT241	Wireless - Teltonika 4G - 120 / 240 VAC - 50 / 60 Hz	8.0	1.6 - 2.9	5.9 - 13.3	1 / 1.2
F201-Q1728(48)-01-01	POE - IEEE 802.3bt - 90W	8.0	1.7	15.2 - 48.7	1 / 1.2
F201-Q1728(48)-02-02	Media Converter (SFP) - 120 / 240 VAC - 50 / 60 Hz	8.0	1.7	15.2 - 48.7	1 / 1.2
F201-Q1728(48)-02-03-03-XR60	Wireless - Sierra 5G - 120 / 240 VAC - 50 / 60 Hz	8.0	1.7	15.2 - 48.7	1 / 1.2
F201-Q1728(48)-02-03-02-RUT241	Wireless - Teltonika 4G - 120 / 240 VAC - 50 / 60 Hz	8.0	1.7	15.2 - 48.7	1 / 1.2

For other combinations and selection matrix data sheet please visit <https://spectrumcamera.com>

Specifications

General				
Casing	Aluminum			
Weight	27 - 29 lbs (12.2 - 13.2 kgs)			
Dimensions	19.25(L) x 7.41(H) x 6.64(W) in (498 x 188 x 163 mm)			
Power	See models shown on previous page, or on Selection Matrix Data Sheet			
Storage Conditions	-40°C to +60°C (-40°F to +140°F) Humidity 5-95% RH (non-condensing)			
Operating Conditions	Part No.	Certified Temperature °C (°F)	Part No.	Certified Temperature °C (°F)
	F201-P1387-01-01	-50 to +55°C (-58 to +131°F)	F201-Q1656-01-01	-50 to +60°C (-58 to +140°F)
	F201-P1387-02-02	-50 to +55°C (-58 to +131°F)	F201-Q1656-02-02	-50 to +60°C (-58 to +140°F)
	F201-P1387-02-03-03-XR60	-40 to +55°C (-40 to +131°F)	F201-Q1656-02-03-03-XR60	-40 to +60°C (-40 to +140°F)
	F201-P1387-02-03-02-RUT241	-40 to +55°C (-40 to +131°F)	F201-Q1656-02-03-02-RUT241	-40 to +60°C (-40 to +140°F)
	F201-P1388-01-01	-50 to +55°C (-58 to +131°F)	F201-Q1715-01-01	-50 to +50°C (-58 to +122°F)
	F201-P1388-02-02	-50 to +55°C (-58 to +131°F)	F201-Q1715-02-02	-50 to +50°C (-58 to +122°F)
	F201-P1388-02-03-03-XR60	-40 to +55°C (-40 to +131°F)	F201-Q1715-02-03-03-XR60	-40 to +50°C (-40 to +122°F)
	F201-P1388-02-03-02-RUT241	-40 to +55°C (-40 to +131°F)	F201-Q1715-02-03-02-RUT241	-40 to +50°C (-40 to +122°F)
	F201-Q1728(13)-01-01	-50 to +60°C (-58 to +140°F)	F201-Q1728(48)-01-01	-50 to +60°C (-58 to +140°F)
	F201-Q1728(13)-02-02	-50 to +60°C (-58 to +140°F)	F201-Q1728(48)-02-02	-50 to +60°C (-58 to +140°F)
	F201-Q1728(13)-02-03-03-XR60	-40 to +60°C (-40 to +140°F)	F201-Q1728(48)-02-03-03-XR60	-40 to +60°C (-40 to +140°F)
	F201-Q1728(13)-02-03-02-RUT241	-40 to +60°C (-40 to +140°F)	F201-Q1728(48)-02-03-02-RUT241	-40 to +60°C (-40 to +140°F)

Approvals	Hazardous Area FM3600, FM3615, ANSI/ISA/EN/IEC/CAN/ CSA-C22.2 60079-0, ANSI/UL/EN/IEC/CAN/ CSA-C22.2 60079-1, ANSI/UL/IEC/CAN/ CSA-C22.2 60079-31
	EMC EN 60032 Class A, EN 50121-4, IEC 62236-4, EN 60024, EN 61000-6-1, EN 61000-6-2, FCC Part 15 Subpart B Class A, ICES-003 Class A, VCCI Class A, RCM AS/NZS CISPR 32 Class A, KC KN32 Class A, KC KN35
	Safety IEC/EN/UL 60950-22, IEC/EN/UL 62368-1, IS 13252
	Environment IEC 60068-2-1, IEC 60068-2-2, IEC 60068-6, IEC 60068-2-14, IEC 60068-2-27, IEC 60068-2-78, IEC/EN 60529 IP66/IP67, IEC/EN 62262 IK10, NEMA 250 Type 4X, NEMA TS 2 (2.2.7-2.2.9)
	Network NIST SP500-267

Explosion-proof certification	USA: FM24US0209X
	Canada: FM24CA0056X
	ATEX: FM24ATEX0026X
	IECEX: IECEX_FMG_24.0028_000

Accessories for the F200



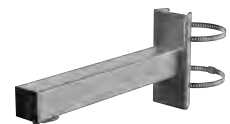
F2XX-GM
General Mount
(Supplied with camera)



F2XX-TO
Front Glass Protective Film
(Supplied with camera)



F2XX-WM
Fixed Wall Mount



F2XX-PM
Fixed Pole Mount

Approvals & Dimensions

Non-Wireless Versions



MADE IN USA



MODEL: F2AA-BB-CC-EE-FF
 POE INPUT: IEEE 802.3ax, X.X W;
 VAC INPUT: XXX VAC, X.X W, 50/60 Hz;
 VDC INPUT: XX VDC, X.X W;

SPECIALIZING IN EXPLOSION PROOF TECHNOLOGY
 8935 ALMEDA GENOA RD. HOUSTON, TEXAS 77075 USA

SERIAL: []

US/Canada: Class I Division 1 Groups BCD [SEE TABLE 1], Type 4X, IP66

Class II/III Division 1 Groups EFG [SEE TABLE 2], Type 4X, IP66

Class I, Zone 1, AEx/Ex db IIB+H2 Gb [SEE TABLE 1], Type 4X, IP66

Zone 21, AEx/Ex tb IIIC Db [SEE TABLE 3], Type 4X, IP66

II 2 G Ex db IIB+H2 Gb [SEE TABLE 1], IP66

II 2 D Ex tb IIIC Db [SEE TABLE 1], IP66

CERT NO. FM24US0209X & FM24CA0056XIECEX FMG 24.0028X, & FM24ATEX0026X

WARNING: DO NOT OPEN WHEN ENERGIZED OR WHEN AN EXPLOSIVE ATMOSPHERE MAY BE PRESENT. Install seal within 18 inches.

WARNING: POTENTIAL ELECTROSTATIC CHARGING HAZARD - SEE INSTRUCTION NOTE: FOR BATTERY REPLACEMENT DETAILS- SEE INSTRUCTION
 AVERTISSEMENT: NE PAS OUVRIR LORSQU'ENERGISE OU QUAND UNE ATMOSPHERE EXPLOSIVE PEUT ETRE PRESENTE. Les joints de fermeture
 sont obligatoires dans une distance de 18 pouces.
 AVERTISSEMENT - RISQUE DE CHARGE ELECTROSTATIQUE POTENTIEL - VOIR LES INSTRUCTIONS. REMARQUE : POUR LES DETAILS SUR LE
 REMPLACEMENT DE LA BATTERIE, VOIR LES INSTRUCTIONS

TABLE 1	
"T" CODE	AMB TEMP RANGE
T6/T80°C	-50°C TO +50°C
T9/T100°C	-50°C TO +50°C
T9/T100°C	-50°C TO +50°C
T9/T100°C	-50°C TO +50°C

TABLE 2		TABLE 3	
"T" CODE	AMB TEMP RANGE	"T" CODE	AMB TEMP RANGE
T6	-50°C TO +50°C	T80°C	-50°C TO +50°C
T9	-50°C TO +50°C	T100°C	-50°C TO +50°C
T4	-50°C TO +50°C	T132°C	-50°C TO +50°C

Wireless Versions



MADE IN USA



MODEL: F2AA-BB-CC-EE-FF
 POE INPUT: IEEE 802.3ax, X.X W;
 VAC INPUT: XXX VAC, X.X W, 50/60 Hz;
 VDC INPUT: XX VDC, X.X W;

SPECIALIZING IN EXPLOSION PROOF TECHNOLOGY
 8935 ALMEDA GENOA RD. HOUSTON, TEXAS 77075 USA

SERIAL: []

US/Canada: Class I Division 1 Groups BCD [SEE TABLE 1], Type 4X, IP66

Class II/III Division 1 Groups EFG [SEE TABLE 2], Type 4X, IP66

Class I, Zone 1, AEx/Ex db mb [Ia Ga] IIB+H2 Gb [SEE TABLE 1], Type 4X, IP66

Zone 21, AEx/Ex mb tb [Ia Da] IIIC Db [SEE TABLE 3], Type 4X, IP66

II 2 (1) G Ex db mb [Ia Ga] IIB+H2 Gb [SEE TABLE 1], IP66

II 2 (1) D Ex mb tb [Ia Da] IIIC Db [SEE TABLE 1], IP66

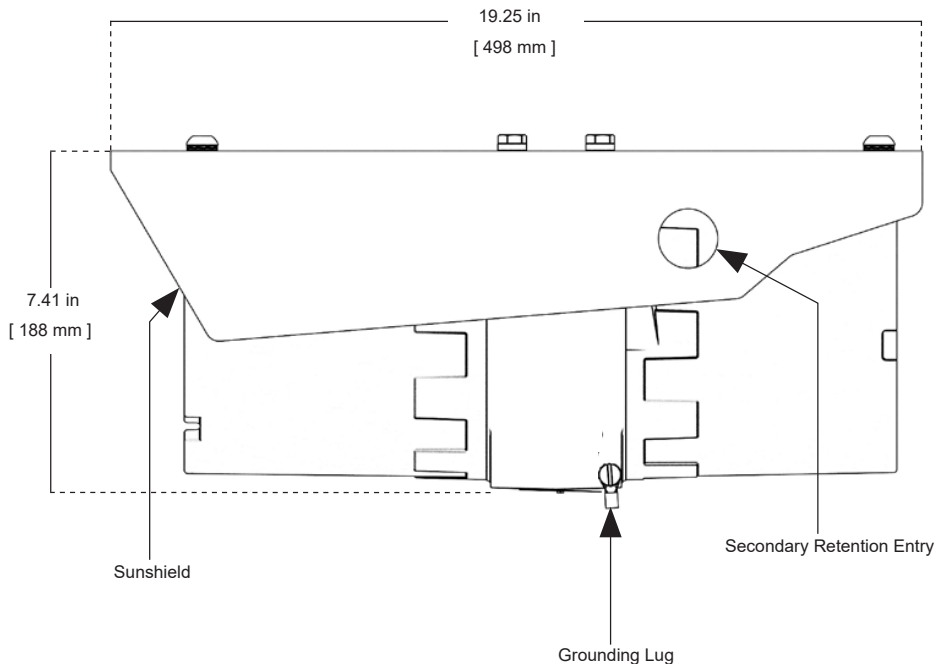
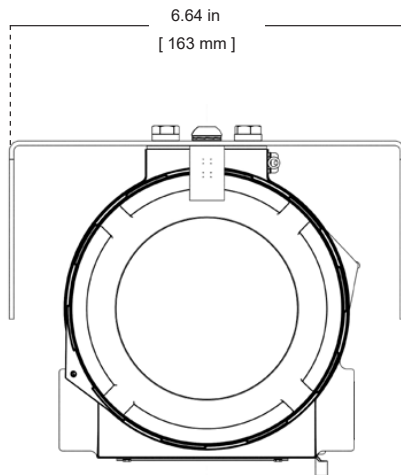
CERT NO. FM24US0209X & FM24CA0056XIECEX FMG 24.0028X, & FM24ATEX0026X

WARNING: DO NOT OPEN WHEN ENERGIZED OR WHEN AN EXPLOSIVE ATMOSPHERE MAY BE PRESENT. Install seal within 18 inches.

WARNING: POTENTIAL ELECTROSTATIC CHARGING HAZARD - SEE INSTRUCTION NOTE: FOR BATTERY REPLACEMENT DETAILS- SEE INSTRUCTION
 AVERTISSEMENT: NE PAS OUVRIR LORSQU'ENERGISE OU QUAND UNE ATMOSPHERE EXPLOSIVE PEUT ETRE PRESENTE. Les joints de fermeture
 sont obligatoires dans une distance de 18 pouces.
 AVERTISSEMENT - RISQUE DE CHARGE ELECTROSTATIQUE POTENTIEL - VOIR LES INSTRUCTIONS. REMARQUE : POUR LES DETAILS SUR LE
 REMPLACEMENT DE LA BATTERIE, VOIR LES INSTRUCTIONS

TABLE 1	
"T" CODE	AMB TEMP RANGE
T6/T80°C	-40°C TO +50°C
T9/T100°C	-40°C TO +50°C
T9/T100°C	-40°C TO +50°C
T9/T100°C	-40°C TO +50°C

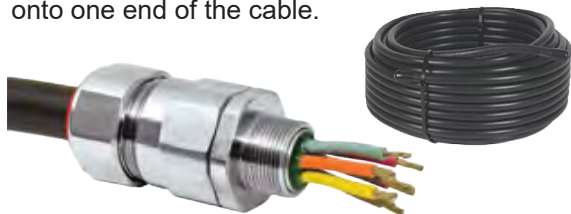
TABLE 2		TABLE 3	
"T" CODE	AMB TEMP RANGE	"T" CODE	AMB TEMP RANGE
T6	-40°C TO +50°C	T80°C	-40°C TO +50°C
T9	-40°C TO +50°C	T100°C	-40°C TO +50°C
T4	-40°C TO +50°C	T130°C	-40°C TO +50°C
T4	-40°C TO +50°C	T132°C	-40°C TO +50°C



Installation Cable & Gland Kits

Suitable for installation in Class I, II, III, Div 1, ABCDEFG IEC - Zone 1/21 IIC, IIIC environments.

The cable gland is supplied pre-installed onto one end of the cable.



- SCS-PWR-CBL-3C-D1-Z1-25 - (25 ft)
- SCS-PWR-CBL-3C-D1-Z1-50 - (50 ft)
- SCS-PWR-CBL-3C-D1-Z1-100 - (100 ft)
- SCS-PWR-CBL-3C-D1-Z1-200 - (200 ft)
- SCS-PWR-CBL-3C-D1-Z1-300 - (300 ft)

For additional sizes please contact us at sales@spectrumcamera.com

For use with the 120 / 240 VAC
 F200 models only